

KEY FEATURES - Zone 2 EEx nR Floodlight

- The HDL 227 marine grade aluminium alloy floodlight with high performance photometrics is designed to withstand highly corrosive and Zone 2 hazardous area environments.
- The EEx nR restricted breathing floodlight is constructed from a compact and lightweight design and is available in 150W, 250W and 400W high pressure sodium or metal halide.
- 150W, 250W, 400W.
- High performance photometrics.
- Restricted breathing.
- SIRA certified.
- Lightweight design.
- High pressure sodium/metal halide.
- Marine Grade Alloy Body.
- Hinged Front Cover.
- Toughened Glass.
- Compact & Lightweight Design.
- Loop-in, Loop-out as standard.
- Stirrup Bracket, Galvanised Steel.
- Stainless Steel Cover & Bracket Screws.
- IP65.

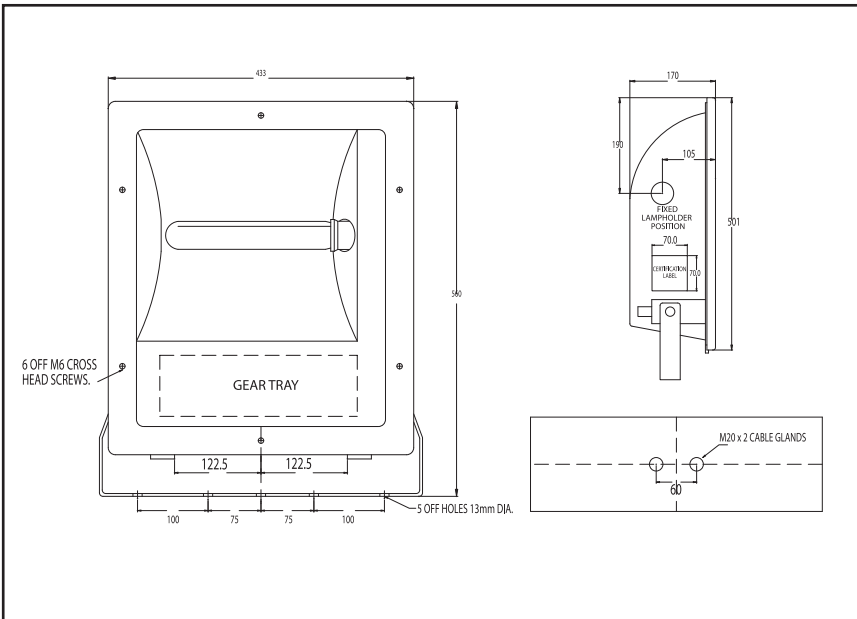


PROTECTION Ex II 3GD EEx nR II T3/T2 IP65

CERTIFICATION ATEX CERTIFIED BY SIRA

	Certification	Ambient	Voltage Range	Certificate
HDL 227	Ex II 3GD EEx nR II T3/T2 IP65	-40°C to +56°C	220V - 240V	SIRA 03ATEX 4061

DIMENSIONS



SPECIFICATION

Body	Marine Grade Aluminium Alloy LM6
Front	Hinged Front Cover
Diffuser	Toughened Glass 4mm
Reflector	Symmetrical Dimpled
Control Gear	Anodised Polished Aluminium
Stirrup Bracket	Galvanised Steel
Cover	Stainless Steel
Bracket Screws	Stainless Steel

AMBIENTS / MOUNTING ATTITUDES

W	Attitude Point	PFC	NO PFC
150W T3	0°	-40°C to +40°C	-40°C to +56°C
	30°	-40°C to +38°C	-40°C to +56°C
	45°	-40°C to +37°C	-40°C to +56°C
	60°	-40°C to +35°C	-40°C to +56°C
	90°	-40°C to +31°C	-40°C to +45°C
250W T3	0°	-40°C to +40°C	-40°C to +56°C
	30°	-40°C to +38°C	-40°C to +56°C
	45°	-40°C to +37°C	-40°C to +56°C
	60°	-40°C to +35°C	-40°C to +56°C
	90°	-40°C to +31°C	-40°C to +45°C
400W T2	0°	-40°C to +35°C	-40°C to +35°C
	30°	-40°C to +35°C	-40°C to +35°C
	45°	-40°C to +30°C	-40°C to +35°C
	60°	-40°C to +25°C	-40°C to +25°C
	90°	-40°C to +25°C	-40°C to +25°C

ELECTRICAL SPECIFICATIONS

Lamp Options	Electrical Specification		
	Power consumption	Power factor	Power supply
150W	168W	Better Than 0.85	220V - 240V 50 Hz AC Other voltages and frequencies available upon request.
250W	280W		
400W	433W		

INSTALLATION

Terminals	Suitable for up to 4.00mm cable.
Cable Entries	2 x M20 (other cable entries available upon request).
Suspension	See dimensional diagram.

ORDERING MATRIX

Field	Options
Product	HDL227
Lamp Options	150W - 150W
	250W - 250W
	400W - 400W
Options	SON - High Pressure Sodium
	MBI - Metal Halide

Notes
1) Final Product Code should be in the format: HDL227400SON.
2) For Photometric and Weight Data contact the sales office.

We reserve the right to amend technical data in accordance with continuous improvement of product specifications and standards. Refer to the website for the latest revision.

A-Belco. Jubilee Industrial Estate, Ashington, Northumberland, NE63 8UG
T: +44 (0) 1670 814877 F: +44 (0) 1670 858638 www.a-belco.co.uk enquiries@hadar-lighting.co.uk