

## iANT201 Intrinsically Safe Omni Directional Antenna



*General purpose 2.4Ghz and 5.8Ghz omni-directional antenna*

*-40°C to 80°C*

*IP66*

*II 1 G Ex ia IIC T6*

*Note (The supplied bracket is made from aluminium and as such must not be used in Zone 0 environments)*

### Overview

The iANT201 is a light industrial antenna and has been ATEX approved as simple apparatus for use in all hazardous areas. The iANT201 is optimised for use in WLAN installations in the 2.4GHz and 5.8GHz spectrum for IEEE802.11 a/b/g wireless networks or wireless MESH Ethernet networks. It can be used with Extronics range of access points and mesh routers such as the iWAP102, iWAP200 & iWAP300.

#### Indoor, Outdoor operation

The iANT201 is suitable for both indoor and outdoor operation. It is constructed from Fibreglass and aluminium, so is resistant to water ingress and corrosion in most environments. Connection is made via an N-type female connector, providing a robust and weatherproof termination.

#### Gain and Directionality

These antennas offer a gain of 6 dBi for the 2.4GHz version, and 10dBi for the 5.8GHz version, as well as being omni-directional in the horizontal (azimuth) plane, meaning that they will give excellent coverage in a wide range of environments. They are ideally suited to providing general coverage in open areas.

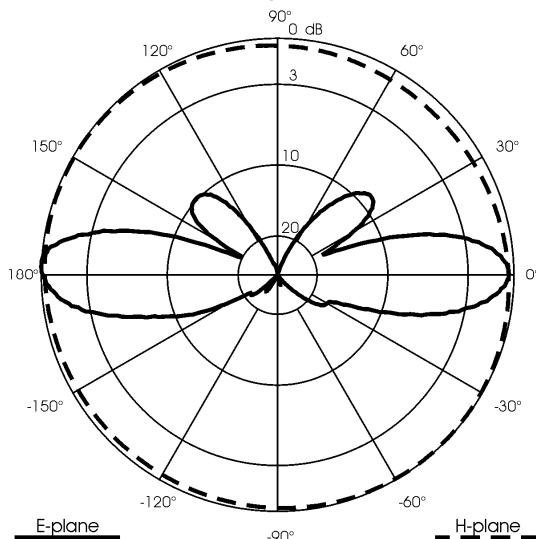
#### Easy Mounting

The antennas can be easily mounted and positioned with the aluminium bracket supplied. For details of alternative mounting options contact Extronics.

### Diagrammatical Data

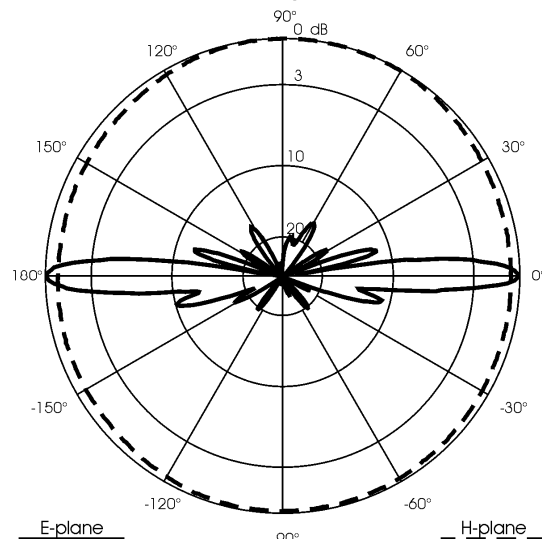
#### iANT201-24

Elevation (E Plane) radiation pattern at 2442.5MHz



#### iANT201-58

Elevation (E Plane) radiation pattern at 5672.5MHz



## Specification

<b>Dimensions</b>	2.4GHz - 330mm Length, 23/32mm Diameter 5.8GHz - 400mm Length, 23/32mm Diameter
<b>Weight</b>	2.4GHz - Approx 350g 5.8GHz - Approx 500g
<b>Connections</b>	N-Type Female
<b>Frequency Range</b>	2.3 - 2.5 or 5.470 - 5.875 GHz
<b>Impedance</b>	50 Ohms
<b>Gain</b>	2.4GHz - 6 dBi 5.8GHz - 10dBi
<b>VSWR</b>	≤1.5:1
<b>Azimuth Beamwidth (3dB)</b>	2.4GHz=360°, 5.8GHz =360°
<b>Elevation Beamwidth (3dB)</b>	2.4GHz=22°, 5.8GHz =10°
<b>Radiation Angle</b>	2.4GHz=0°, 5.8GHz =0°
<b>Polarisation</b>	Vertical
<b>Ambient Temperature</b>	-40°C to 80°C
<b>IP Rating</b>	IP66
<b>Certification type</b>	Simple Apparatus
<b>Certification</b>	II 2 G Ex ia IIC T6

## Ordering Information

### Description

2.4 GHz Omni-Directional WLAN antenna  
5.8 GHz Omni-Directional WLAN antenna

### Part Number

iANT201-24  
iANT201-58